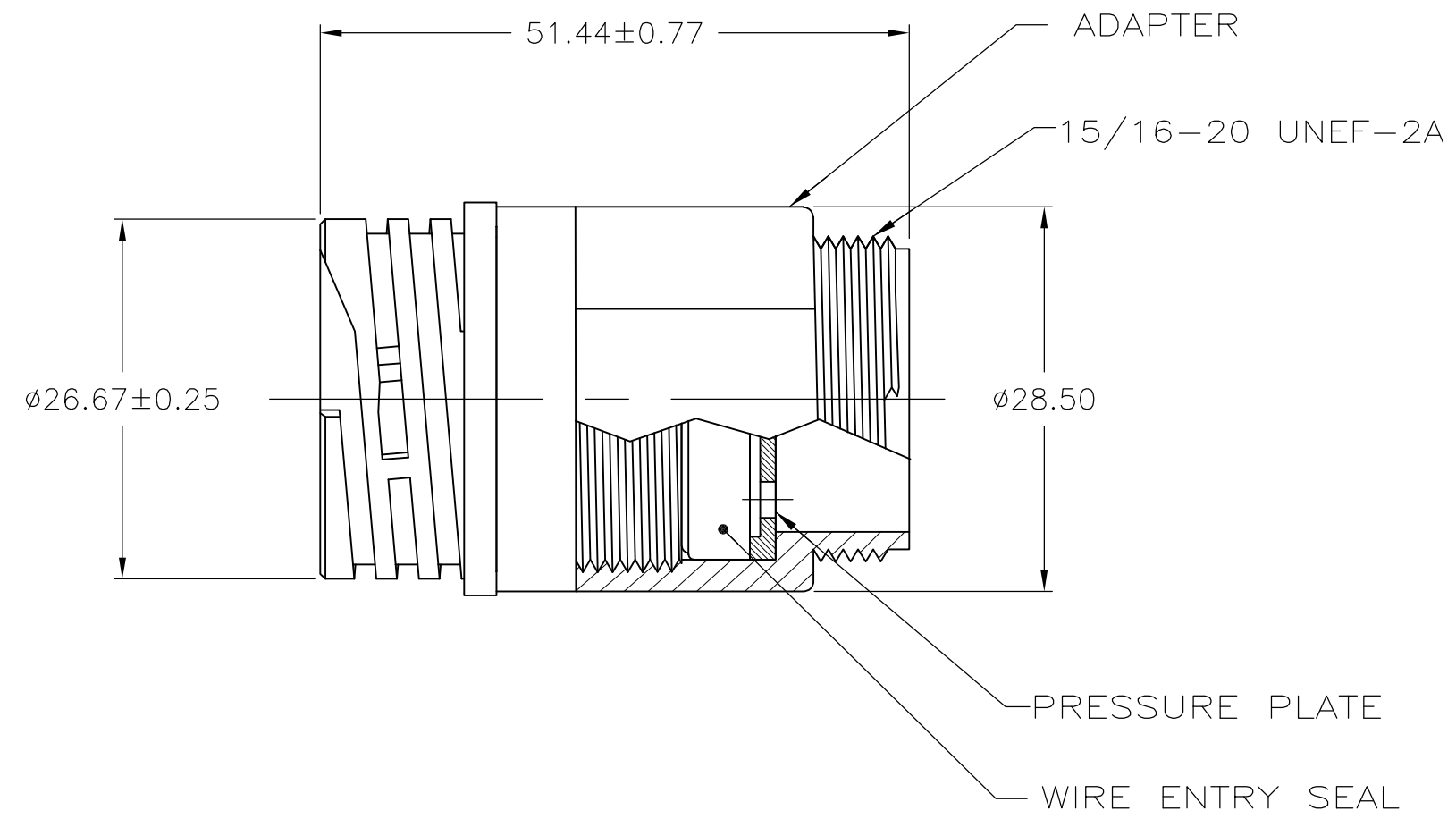
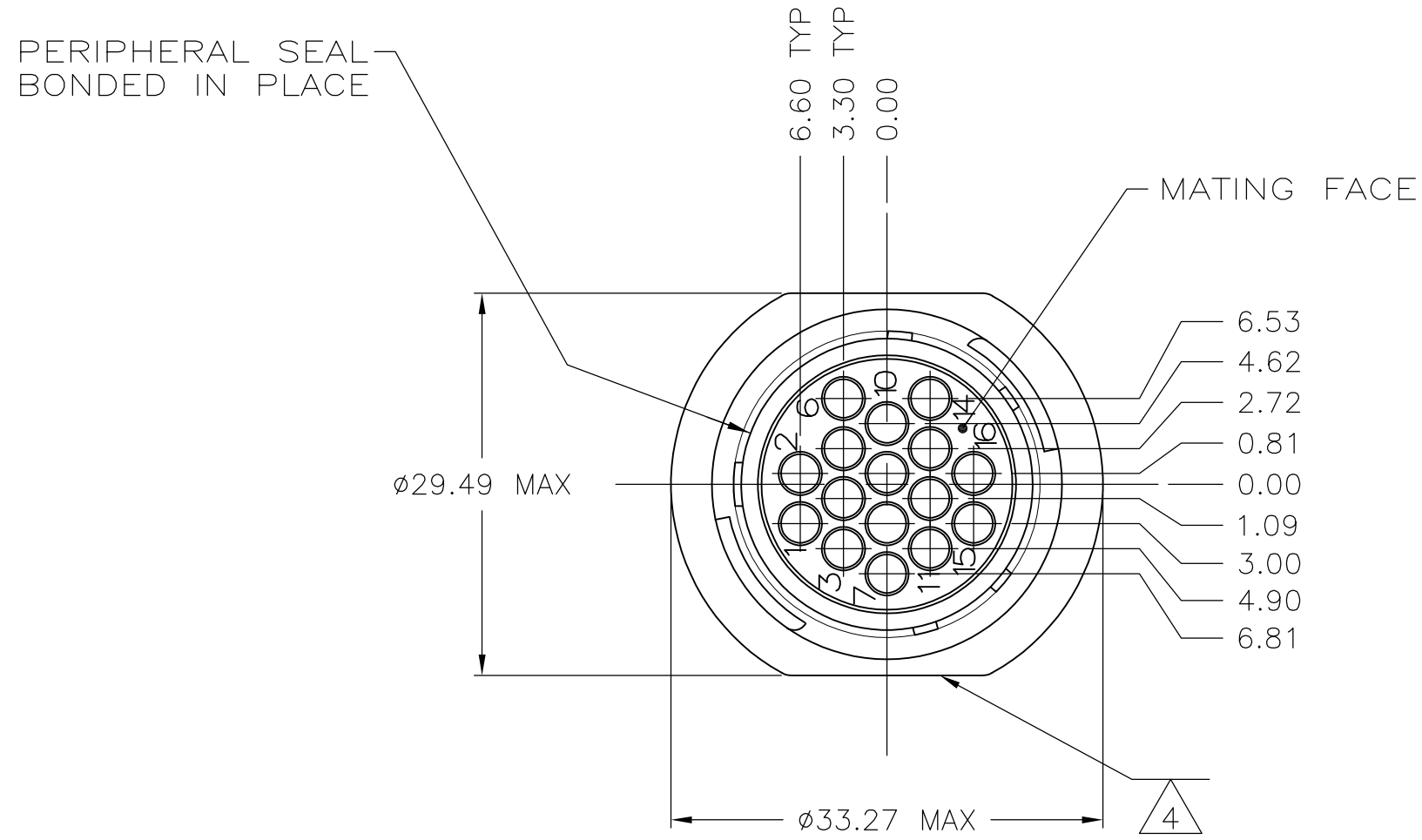


THIS DRAWING IS UNPUBLISHED. RELEASED FOR PUBLICATION
 © COPYRIGHT BY TYCO ELECTRONICS CORPORATION. ALL INTERNATIONAL RIGHTS RESERVED.

LOC	DIST	REVISIONS					
FT	0	P	LTR	DESCRIPTION	DATE	DWN	APVD
		D		REVISE PER ECO-08-013815	05JUN08	HMR	SH

- 1 HOUSING, ADAPTER AND PRESSURE PLATE: NYLON, BLACK.
WIRE ENTRY SEAL: ELASTOMER, RED-IRON OXIDE.
PERIPHERAL SEAL: ELASTOMER, GRAY.
- 2 CONNECTOR WILL ACCEPT (16) MULTIMATE PIN CONTACTS.
- 3 PART NUMBER STAMPED ON EITHER STRAIGHT EDGE, AS INDICATED.
- 4 HOUSING MATERIAL: POLYESTER, PBT.



4	DIA. RANGE	INSULATION	PART NUMBER
	.040 - .080	SMALL	796276-3
	.040 - .080	SMALL	796276-2
	.065 - .120	STANDARD	796276-1

THIS DRAWING IS A CONTROLLED DOCUMENT.		DWN L. McEACHIN 27-JAN-2000	Tyco Electronics Corporation Harrisburg, PA 17105-3608	
DIMENSIONS: mm		CHK K. DOWHOWER 27-JAN-2000	NAME ASSEMBLY, RECEPTACLE, STANDARD SEX, 17-16, STANDARD OR SMALL INSULATION DIA., SEALED	
TOLERANCES UNLESS OTHERWISE SPECIFIED:		APVD K. DOWHOWER 27-JAN-2000	SIZE A2	
0 PLC ± - 1 PLC ± - 2 PLC ± - 3 PLC ± - 4 PLC ± - ANGLES ± - FINISH -		PRODUCT SPEC - APPLICATION SPEC -	CAGE CODE 00779	DRAWING NO C=796276
MATERIAL - 1		WEIGHT -	SCALE 2:1	RESTRICTED TO -
CUSTOMER DRAWING			SHEET 1 of 1	REV D